



SUPERFREEZE



INLINE CHECK VALVES
IN LINE CHECK VALVES



SUPERFREEZE

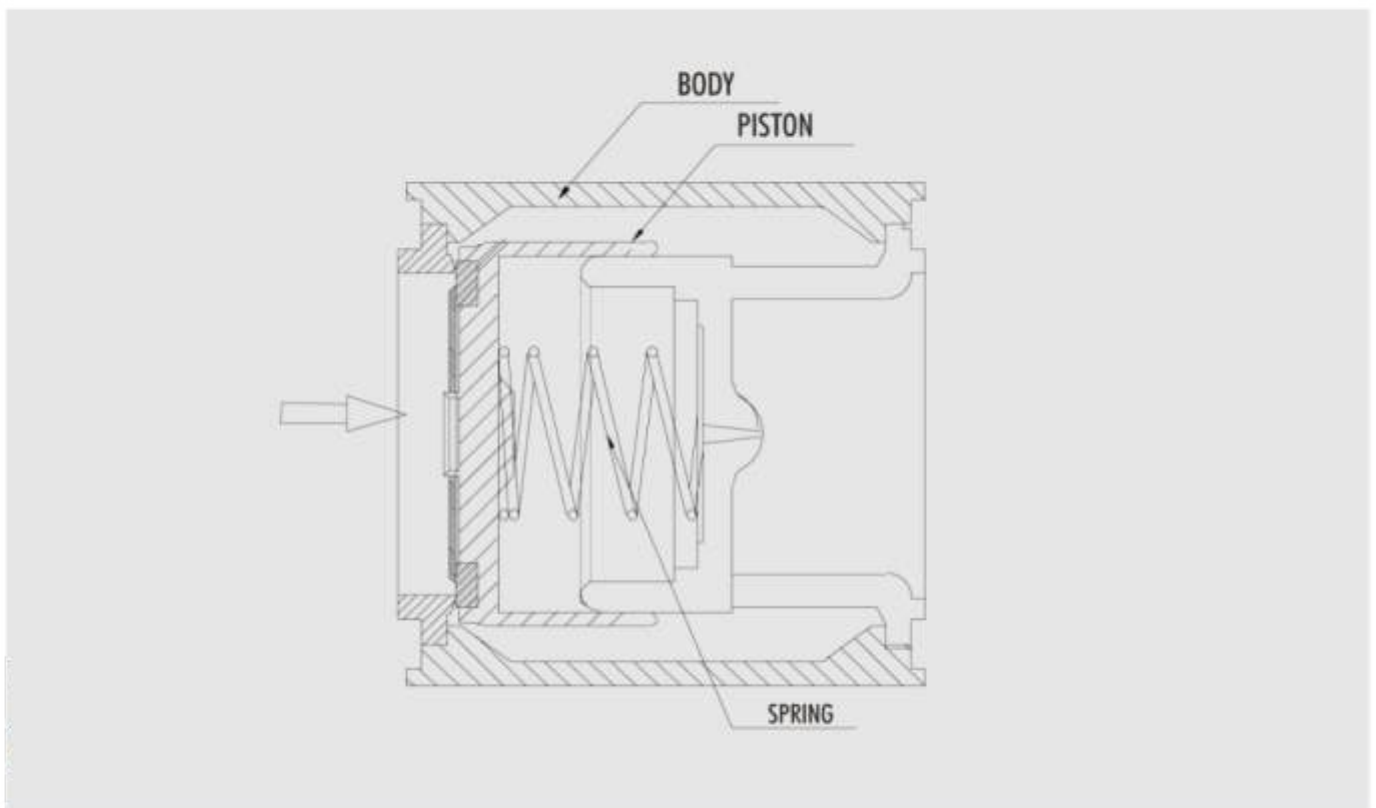
INLINE CHECK VALVES

TYPE : WSCK

PORT SIZES : 1" thru 6" (25mm - 150mm)

REFRIGERANTS

Suitable for all common refrigerants including R-717 (ammonia), R-22, R-134a, Neutral, Gaseous and liquid media.



INTRODUCTION

The **SUPERFREEZE** SCK series of dependable, compact rugged inline check valves (Non return valves) is ideally suited for refrigerant flow control applications. Valves open wide for flow in the arrow direction on the valve body. Valves close quickly and reliably when flow reversals occur. Plated bodies, stainless steel seat disc and springs enable them to withstand expected industrial refrigeration conditions. Furthermore, these check valves can be mounted in any positions.



SUPERFREEZE

INLINE CHECK VALVES

APPLICATION

Suitable for all standard refrigerants such as R-12, R-22, R-502, R-717, R-134a. These in line check valves are designed to provide refrigerant flow control to hot gas lines, liquid lines, compressor discharge lines, suction lines, and hot gas heated drain pan. These valves are not recommended for slow speed compressor discharge lines or for any compressor discharge where a low speed machine discharges into the same downstream header, or for use on side port suction lines on a screw compressor installation.

MATERIAL SPECIFICATIONS

Body	:	ASTM A108
Piston	:	SS 410
Retainer	:	ASTM A-106 Zinc Plated
Seat ring	:	Premium grade virgin (PTFE)
Spring	:	Stainless steel
Piston guide	:	Ductile iron ASTM A-536
Flanges	:	ASTM A-105
Safe working pressure	:	365psig (25 bar)
Operating Temp	:	-46°C to 116°C (-50F to 240F)

OPERATION

These are light spring-closing check valves. An increase in the pressure drop across the valve overcomes the force of the closing spring and piston is forced away from its seat, permitting flow. As the flow decreases or ceases, the piston is forced back towards its seat by the expansion of the closing spring, flow is then stopped.

FEATURES

- Can be installed in any position
- Stainless steel internal parts
- Lapped metal seat
- Low pressure drop
- Compact size occupies very little space

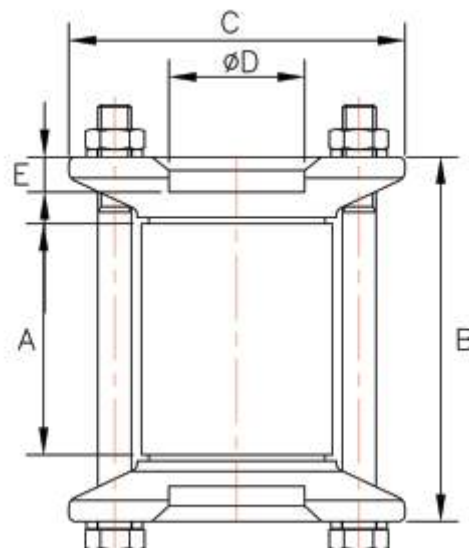


SUPERFREEZE

INLINE CHECK VALVES

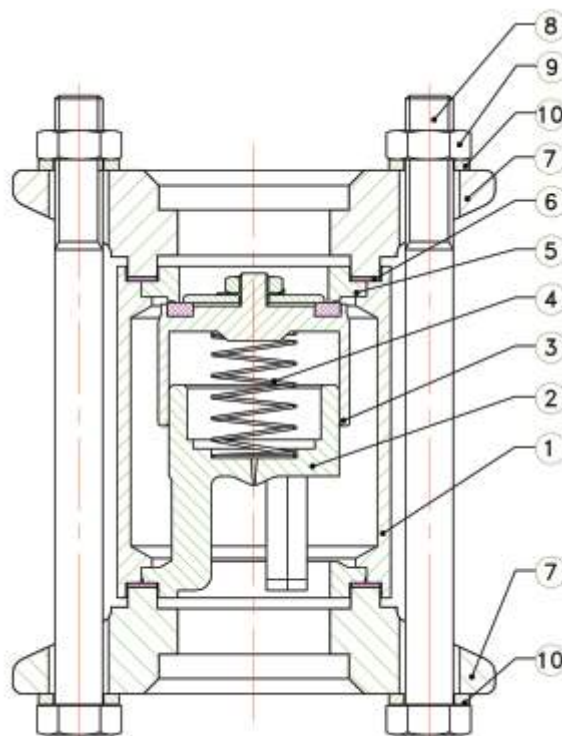
INSTALLATION DIMENSIONS

S. NO.	VALVE SIZE	FLG TOTAL LENGTH	BODY LENGTH (A)	TOTAL LENGTH (B)	FLANGE WIDTH / DIA (C)	SOCKET DIA (D)	SOCKET DEPTH (E)	FLANGE TYPE	BOLT SIZE
1	15	29	65	112	84	18	10	OVAL	M12
2	20	29	65	114	108	28	10	OVAL	M12
3	25	30	74	133	116	34.5	13	OVAL	5/8"
4	32	35	74	157	102	43.5	13	SQUARE	5/8"
5	40	33	88	154	110	50	13	SQUARE	5/8"
6	50	37	109	180	125	62	16	SQUARE	5/8"
7	65	37	110	180	149	75	16	SQUARE	3/4"
8	75	37	109	182	160	90.8	16	SQUARE	3/4"
9	100	42	109	180	182	116	16	SQUARE	3/4"
10	150	35	174	230	291	169.5	16	ROUND	3/4"



PART LIST

10	SPRING WASHER
9	HEX NUT
8	HEX BOLT
7	FLANGE
6	GASKET
5	SEAT RING
4	SPRING
3	PISTON ASSY.
2	PISTON GUIDE
1	HOUSING
ITEM NO.	DESCRIPTION



The above part list pertains to WSCK 50 refer annexure A for details of part no.



SUPERFREEZE

INLINE CHECK VALVES

ORDERING INFORMATION

Cat No.	Port Size	Flange Connection
WSCK 25	1" (25 MM)	1"
WSCK 32	1-1/4" (32 MM)	1-1/4"
WSCK 40	1-1/2" (40 MM)	1-1/2"
WSCK 50	2" (50 MM)	2"
WSCK 65	2-1/2" (65 MM)	2-1/2"
WSCK 75	3" (75 MM)	3"
WSCK100	4" (100MM)	4"
WSCK125	5" (125MM)	5"
WSCK150	6" (150MM)	6"

INSTALLATION

Valve may be located in any position. Arrow on valve body should match direction of flow. Secure valve with gaskets between flanges and tighten bolts evenly. Do not use this valve or any component to align pipes or gap between flanges.

Do not install on inlet side of solenoid valves or control valves with electric shutoff or shut-off valves unless a relief valve is used from therein between piping.

SUPERFREEZE INDIA (P) LTD

An ISO 9001 : 2015 Certified Company

122, Qutab Plaza, DLF Phase-I, Gurgaon -122002, Haryana, India
Tel : +91-124-4301636

E mail : sales@superfreeze.com Website : www.superfreeze.com